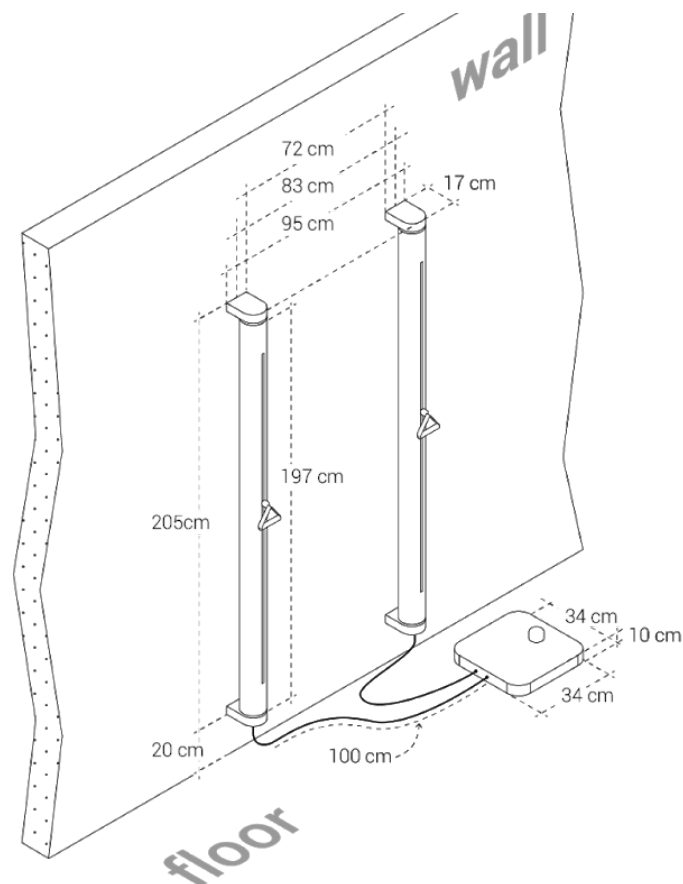


TECHNICAL SHEET

SINTESI | VERTICAL CONFIGURATION

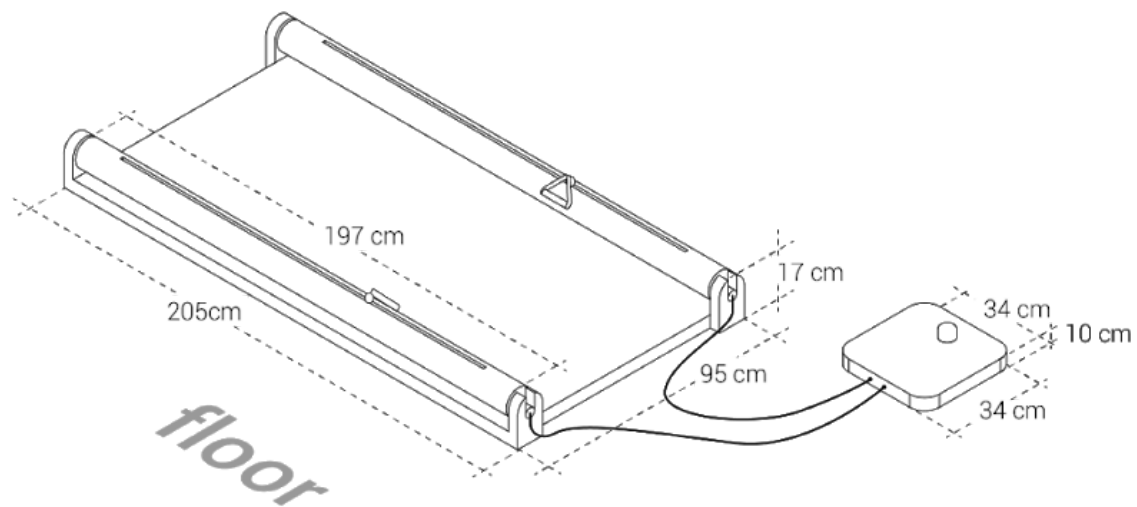
Manufacturer	AKUIS S.r.l.
Address	Via Aita Menotti 2, 33028 Tolmezzo (UD)
Model	SINTESI
Usage class/Accuracy	SA
Power supply output	37 V DC - 17 Ah max - 555 W
Power supply input	230 V AC - 50/60 Hz
Dimensions	205 x 95 x 15 cm
Minimum workout area in front of Sintesi	200 x 200 m
Equipment weight (2 tube modules)	20kg
Power supply weight	5 Kg
Maximum user weight	not defined
Maximum workout load	100 kg (50kg each module)
Maximum cable length	350 cm
User Interface	Tablet and App provided from Akuis srl
Connectivity	Bluetooth 4.0 - WIFI
Acoustic pressure level	<60dB
Working temperature	-10° +30°



TECHNICAL SHEET

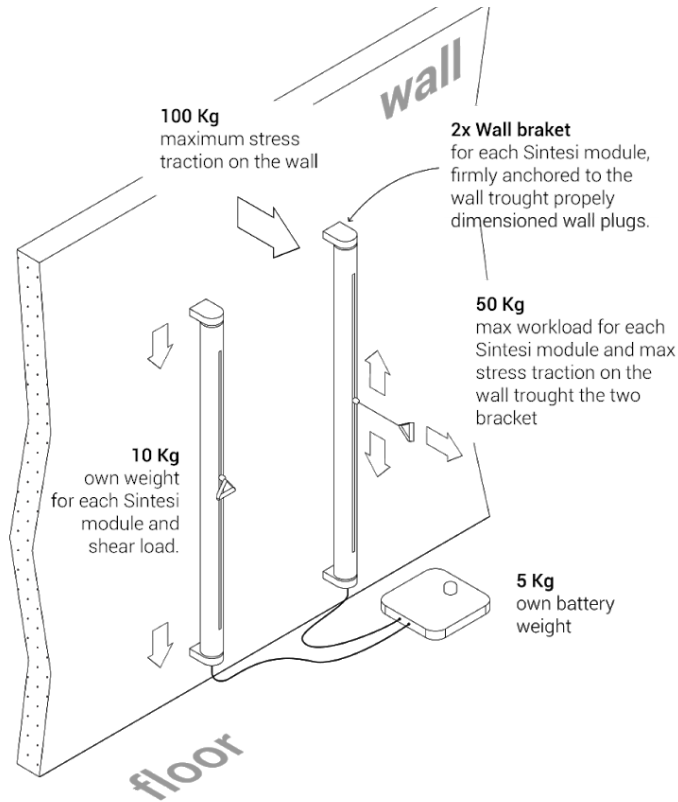
SINTESI | HORIZONTAL CONFIGURATION

Manufacturer	AKUIS S.r.l.
Address	Via Aita Menotti 2, 33028 Tolmezzo (UD)
Model	SINTESI
Usage class/Accuracy	SA
Power supply output	37 V DC - 17 Ah max - 555 W
Power supply input	230 V AC - 50/60 Hz
Dimensions	205 x 95 x 17 cm (inc. footboard thickness 4 cm)
Equipment weight (2 tube modules)	20kg
Footboard weight	55 Kg
Power supply weight	5 Kg
Maximum user weight on footboard	120 kg
Maximum workout load	100 kg
Maximum cable length	350 cm
User Interface	Tablet and App provided from Akuis srl
Connectivity	Bluetooth 4.0 - WIFI
Acoustic pressure level	<60dB
Working temperature	-10° +30°



INSTALLATION E STRESSES (distribution of loads)

SINTESI | VERTICAL CONFIGURATION



SINTESI | HORIZONTAL CONFIGURATION

